

## Steca Solarix PRS

PRS 1010, PRS 1515, PRS 2020, PRS 3030

The simplicity and high performance of the Steca Solarix PRS solar charge controller make it particularly appealing. At the same time, it offers a modern design and a convenient display, all at an extremely attractive price.

Several LEDs in various colours emulate a tank display, which gives information on the battery's state of charge. Here, Steca's latest algorithms are employed, resulting in optimal battery maintenance. The Solarix PRS charge controllers are equipped with an electronic fuse, thus making optimal protection possible. They operate on the serial principle, and separate the solar module from the battery in order to protect it against overcharging.

For larger projects, the charge controllers can also be equipped with special functions: e.g. with night light function and selectable charging plateau and deep-discharge protection voltages.

### BASIC



**Quality made in Germany**

#### Product features

- Series controller
- Automatic detection of voltage
- Voltage regulation
- PWM control
- Multistage charging technology
- Current compensated load disconnection
- Automatic load reconnection
- Temperature compensation
- Negative earthing of one or positive earthing of several terminals possible
- Monthly maintenance charge

#### Electronic protection functions

- Overcharge protection
- Deep discharge protection
- Reverse polarity protection of module ( $\leq 36$  V), load and battery
- Automatic electronic fuse
- Short circuit protection of load and module
- Overvoltage protection at module input
- Open circuit protection without battery
- Reverse current protection at night
- Overtemperature and overload protection
- Load disconnection on battery overvoltage

#### Displays

- Multifunction LED display
- Multi-coloured LED
- 5 LEDs show operating states  
~ for operation, state of charge, fault messages

#### Options

- Evening or night light function pre-set in the factory or adjustable via Steca PA RC 100
- Parameterisation of function values via Steca PA RC 100

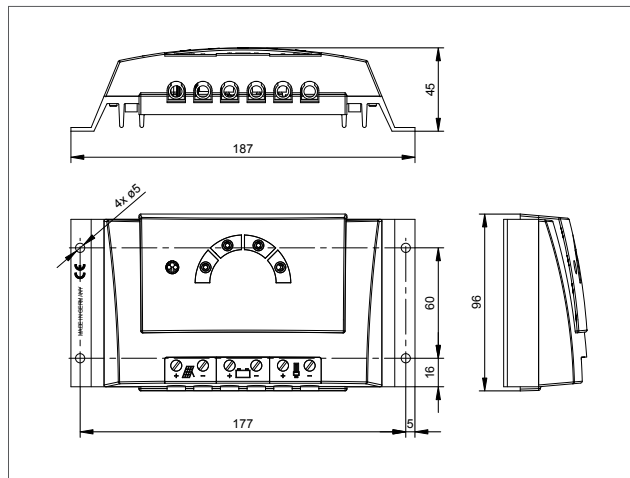
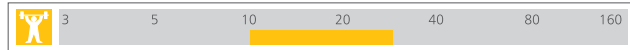
#### Certificates

- Compliant with European Standards (CE)
- RoHS compliant
- Made in Germany
- Developed in Germany
- Manufactured according to ISO 9001 and ISO 14001

#### Steca accessories

- Remote control Steca PA RC100

10 A...30 A



	PRS 1010	PRS 1515	PRS 2020	PRS 3030
<b>Characterisation of the operating performance</b>				
System voltage	12 V (24 V)			
Own consumption	< 4 mA			
<b>DC input side</b>				
Open circuit voltage solar module	< 47 V			
Module current	10 A	15 A	20 A	30 A
<b>DC output side</b>				
Load current**	10 A	15 A	20 A	30 A
Reconnection voltage (LVR)*	12.4 V ... 12.7 V (24.8 V ... 25.4 V)			
Deep discharge protection (LVD)*	11.2 V ... 11.6 V (22.4 V ... 23.2 V)			
<b>Battery side</b>				
Battery voltage	9 V ... 17 V (17.1 V ... 34 V)			
End of charge voltage*	13.9 V (27.8 V)			
Boost charge voltage*	14.4 V (28.8 V)			
Equalisation charge*	14.7 V (29.4 V)			
Set battery type*	liquid			
<b>Operating conditions</b>				
Ambient temperature	-25 °C ... +50 °C			
<b>Fitting and construction</b>				
Terminal (fine / single wire)	16 mm <sup>2</sup> / 25 mm <sup>2</sup> - AWG 6 / 4			
Degree of protection	IP 32			
Dimensions (X x Y x Z)	187 x 96 x 45 mm			
Weight	345 g			

\* adjustable via Steca PA RC100

Technical data at 25 °C / 77 °F

\*\* Inverters must not be connected to the load output.

### Authorized Distributor



211, Gargash Center, Deira, Dubai, United Arab Emirates  
 hone: +971-4-2231185 Fax: +971-4-2271505 URL: www.apexpowerconcepts.com