

Steca Power Tarom

2070, 2140, 4055, 4110, 4140

Specially designed for industrial and outdoor applications, the Steca Power Tarom comes with an IP 65 casing made of powder-coated steel.

This solar charge controller is capable of regulating large systems at three voltage levels (12 V, 24 V, 48 V). The Steca Power Tarom is based on the technology of the Steca Tarom controller. When connected in parallel, several controllers from this series can be operated via a standard DC bus in a simple solar home system or in complex hybrid systems.



Product features

- Hybrid controller
- State of charge determination with Steca AtonIC (SOC)
- Automatic detection of voltage
- PWM control
- Multistage charging technology
- Load disconnection depending on SOC
- Automatic load reconnection
- Temperature compensation
- Negative earthing of one or positive earthing of several terminals possible
- Integrated data logger (energy meter)
- Night light function with Steca PA 15
- Integrated self test
- Monthly maintenance charge

Electronic protection functions

- Overcharge protection
- Deep discharge protection
- Reverse polarity protection of module, load and battery
- Reverse polarity protection by internal fuse
- Automatic electronic fuse
- Short circuit protection of load and module
- Overvoltage protection at module input
- Open circuit protection without battery
- Reverse current protection at night
- Overtemperature and overload protection
- Load disconnection on battery overvoltage

Displays

- Text LCD display
- ~ for operating parameters, fault messages, self test

Operation

- Simple menu-driven operation
- Programming by buttons
- Manual load switch

Interfaces

- RJ45 interface to PA Tarcom / PA HS200

Options

- External temperature sensor (included)
- Alarm contact
- System monitoring via a Steca PA CAB1 Tarcom

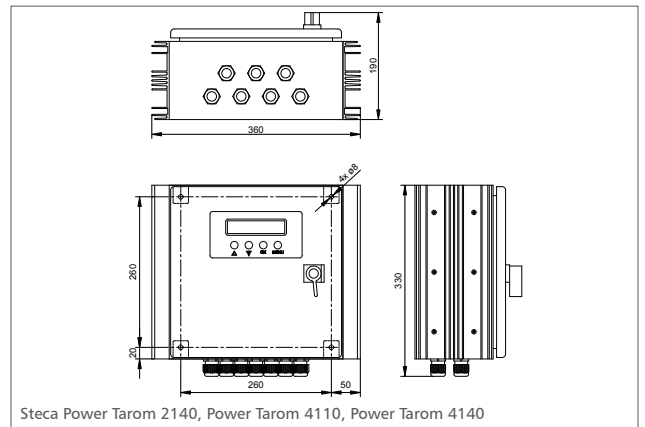
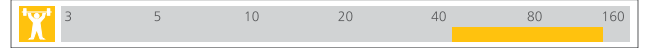
Certificates

- Approved by the World Bank for Nepal
- Fit for use in tropical areas (DIN IEC 68 part 2-30)
- Compliant with European Standards (CE)
- Made in Germany
- Developed in Germany
- Manufactured according to ISO 9001 and ISO 14001

Steca accessories

- Steca PA Tarcom data logger and Steca PA CAB1 Tarcom data cable
- Current sensor Steca PA HS200
- Remote control Steca PA 15

55 A...140 A



Steca Power Tarom 2140, Power Tarom 4110, Power Tarom 4140

	2070	2140	4055	4110	4140
Characterisation of the operating performance					
System voltage	12 V (24 V)		48 V		
Own consumption	14 mA				
DC input side					
Open circuit voltage solar module	< 50 V		< 100 V		
Module current	70 A	140 A	55 A	110 A	140 A
DC output side					
Load current*	70 A	70 A	55 A	55 A	70 A
Reconnection voltage (SOC / LVR)	> 50 % / 12.6 V (25.2 V)		> 50 % / 50.4 V		
Deep discharge protection (SOC / LVD)	< 30 % / 11.1 V (22.2 V)		< 30 % / 44.4 V		
Battery side					
End of charge voltage	13.7 V (27.4 V)		54.8 V		
Boost charge voltage	14.4 V (28.8 V)		57.6 V		
Equalisation charge	14.7 V (29.4 V)		58.8 V		
Set battery type	liquid (adjustable via menu)				
Operating conditions					
Ambient temperature	-10 °C ... +60 °C				
Fitting and construction					
Terminal (fine / single wire)	50 mm ² - AWG 1	95 mm ² - AWG 000	50 mm ² - AWG 1	70 mm ² - AWG 00	95 mm ² - AWG 000
Degree of protection	IP 65				
Dimensions (X x Y x Z)	330 x 330 x 190 mm	360 x 330 x 190 mm	330 x 330 x 190 mm	360 x 330 x 190 mm	
Weight	10 kg				

Technical data at 25 °C / 77 °F

* Inverters must not be connected to the load output.

Authorized Distributor



211, Gargash Center, Deira, Dubai, United Arab Emirates
 Phone: +971-4-2231185 Fax: +971-4-2271505 URL: www.apexpowerconcepts.com